

6000

5850

1410 inv.

350

UPN200 S355

2500

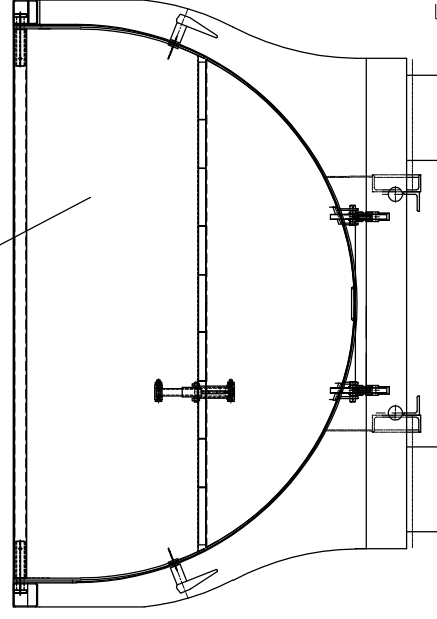
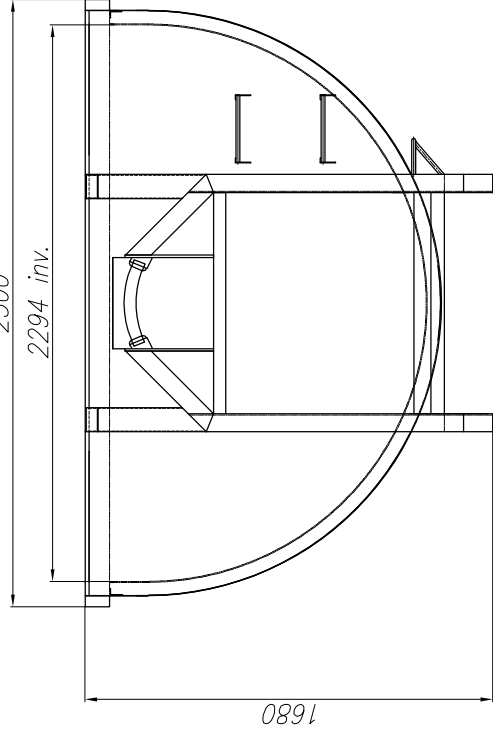
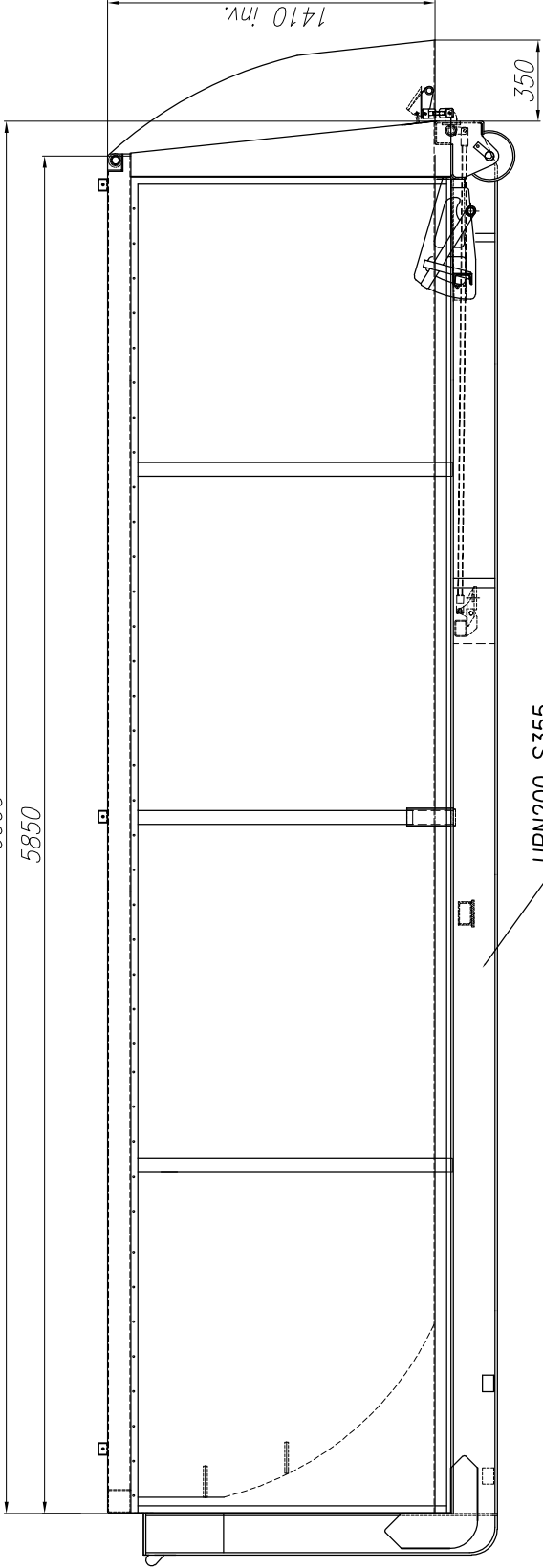
2294 inv.

1680

stainless steel

Frame: SS3021

Denne handling for ej utan vort medgivande kopieras, anvands, overtrycks eller delges omnan eller ellers ockriggen. Den for ej heller delges omnan eller ellers ockriggen. BALTICUM FRINAB, gillande fog.



| | | | | | | | | | | |
|--|---------------------|-----|---------------|-----------|---|------|--------|----------------------------|------------|-----------|
| Slöör | Fram | Bak | Bolten 3mm | Tak/Lucka | Lucka | Dörr | Profil | Stål kvalité Haradax450 | Volym [m3] | |
| BFAB BALTICUM FRINAB | | | | | | | | | | |
| www.bfab.nu | | | | | | | | | | |
| Kristianstad Phone : +46-44 102011 Fax : +46-44 102033 | | | | | Frimaryd Phone : +46-140 387870 Fax : +46-140 20150 | | | | | |
| Konst.-Desig. A.Osinski | Datum 09.08.2018 | | Modell | | Rith. nr. | | | | | Vikt [kg] |
| LV-16 Asfalt | | | | | | | | | | |